



r o b o t i c s

The painting robots

in the world of wood

a well-established reality

advantages, benefits and solutions

with the full respect of the environment

THE COFFINS



GR 650 ST

CMA Robotics

Modelli Salvati:

- 25453294R4T80.txt
- 303045274C00.txt
- 452743030C00.txt
- 6727434530C01.txt
- 94R4T80254532.txt

Nome Programma: 303045274C00

Dimensioni | Profilo | Coperchio | Visualizza | Configurazione

Quota	Misura (mm)
A	500
B	1650
C	500
D	120
E	500

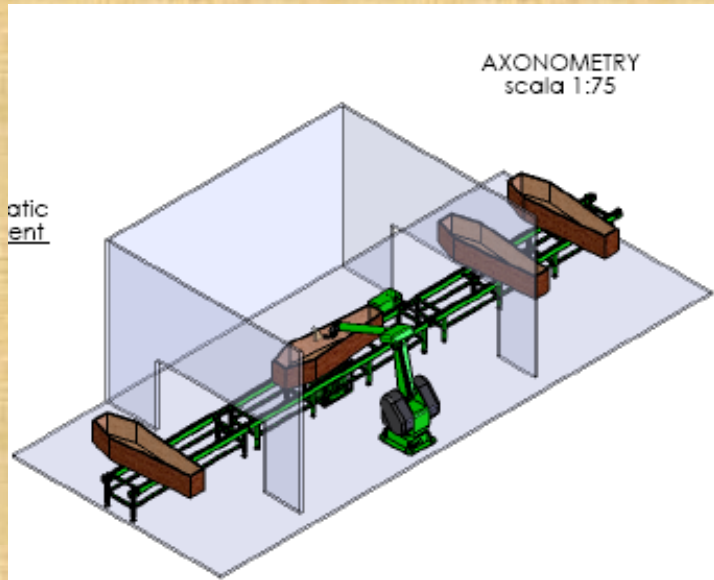
Descrizione:
Articolo: T.50 Larice, Tinta Miele, 194
Finitura: Satinato

Robot 1 | Robot 2

Esagonale | Rettangolare | Ottagonale

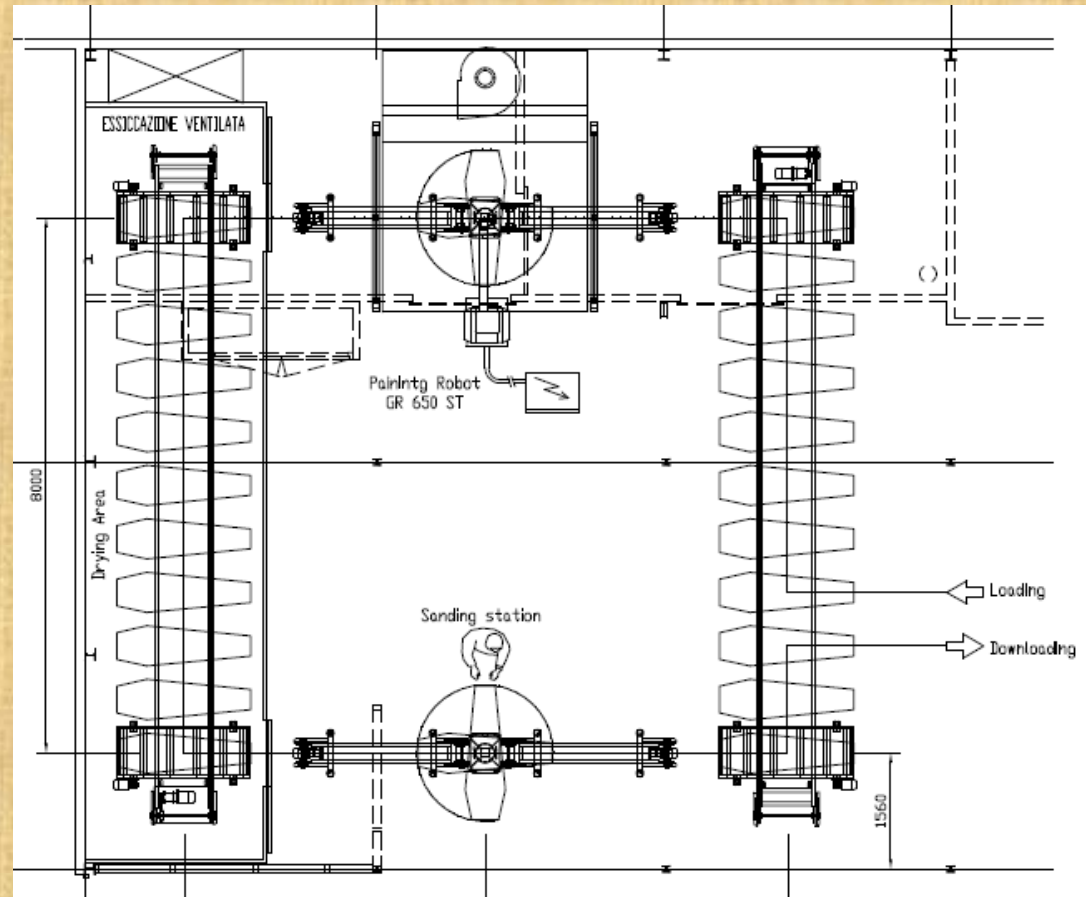
Pistola 1
 Pistola 2

The CMA Robotics has developed for this area a series of comprehensive solutions for the painting process; thanks to the parametric software we developed, the programming cycle is very simple and does not need to be performed on the coffin but only on the control computer where only measures of the pieces need to be entered



Features :

- Paint consumption - **40%** (compared to hand)
- Cycle Time: **1.5-2** minutes (high quality)
- Programming: Point To Point or via PC (parametric)



The CMA Robotics thanks to its great experience is able to design and supply **complete systems** for the application of paint, smoothing and drying of the coffins.

The major manufacturers use our robot to get an exceptional quality and drastically reduce the consumption of paint while keeping their plants clean and efficient.